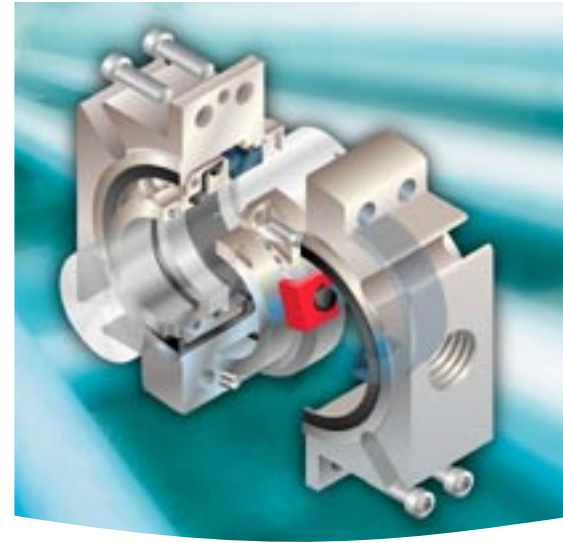


*The PSS II, a split seal with only two components, allows for installation without equipment tear down. The semi-cartridge rotating and stationary assemblies eliminate equipment measurements and handling of seal faces and gaskets. The PSS II is ideal for general chemical industry, pulp and paper, wastewater treatment, power generation, and mining services.*



## Features and Benefits

- Installation around the shaft outside the chamber; no need to dismantle the pump and primary driver
- Unitized, component, semi-cartridge design allows for easy installation
- Unique setting devices position and center assemblies; no need for special tools or measurements required for installation
- Standard design flexible stator with large radial clearance; accommodates up to 0.060 inch (1.5 mm) total indicated runout
- Set screws allow for a positive drive mechanism in lubricating fluids
- Seal faces are pin driven for positive seal face torque in higher viscosity services
- Non-wetted springs and pins eliminate clogging and seal face hang-up
- Standard NPT flush tap connection used for flushing at the seal faces; maintains a clean, cool seal environment in paper stock and other applications

## Materials of Construction

<b>Stator Face</b>	Carbon Silicon Carbide
<b>Rotor Face</b>	Aluminum Oxide, Silicon Carbide
<b>Metal Parts</b>	316 Stainless Steel
<b>Springs</b>	Alloy C-276
<b>Secondary Seals</b>	Fluoroelastomer, EPR

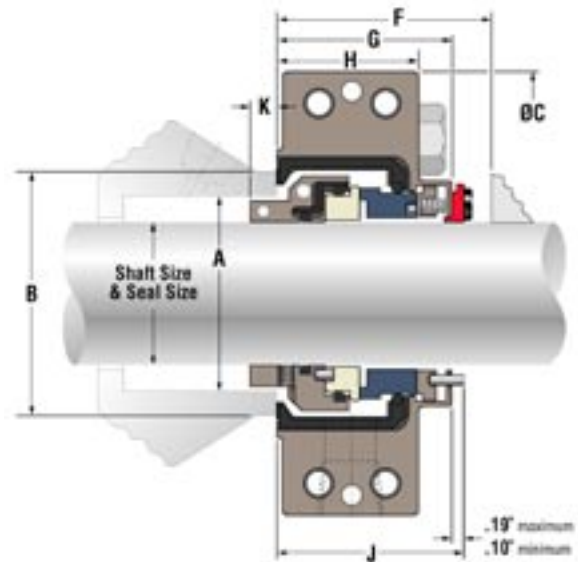
## Operating Parameters

<b>Pressure</b>	Up to 150 psig (10 bar)
<b>Temperature</b>	Up to 250°F (121°C)
<b>Speed</b>	Up to 2600 RPM
<b>Shaft Sizes</b>	1.500 to 6.000 inch (38 to 152 mm)

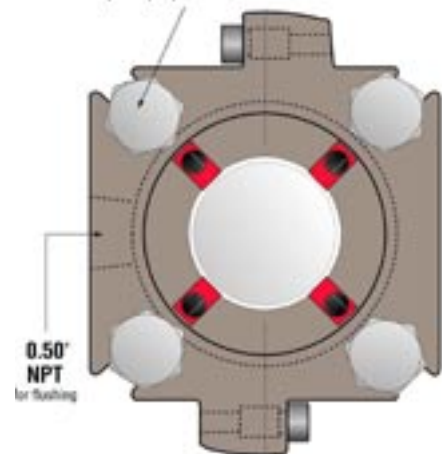
**PSS II Dimensional Data** in inches

Shaft & Seal Size +0.001" -0.002"	A	B	C	D	E	E	F	G	H	J	K
		Min	Min	Max	Min	Max	Min			Max	
1.500	2.12 to 2.50	2.75	5.25	0.500	3.50	4.33	2.50	2.12	1.71	2.31	0.33
1.625	2.25 to 2.62	2.88	5.50	0.500	3.62	4.75	2.50	2.12	1.71	2.31	0.33
1.750	2.38 to 2.75	3.00	5.41	0.500	3.75	4.36	2.50	2.12	1.71	2.31	0.33
1.875	2.50 to 2.88	3.12	5.53	0.500	3.88	4.67	2.50	2.12	1.71	2.31	0.33
2.000	2.62 to 3.00	3.25	5.75	0.500	4.03	5.06	2.50	2.12	1.71	2.31	0.33
2.125	2.75 to 3.25	3.50	5.69	0.625	4.44	5.38	2.72	2.34	1.84	2.53	0.39
2.250	2.88 to 3.38	3.62	5.81	0.625	4.56	5.64	2.72	2.34	1.84	2.53	0.39
2.375	3.00 to 3.50	3.75	5.94	0.625	4.69	5.06	2.72	2.34	1.84	2.53	0.39
2.500	3.12 to 3.75	3.88	6.88	0.625	5.00	6.20	2.72	2.34	1.84	2.53	0.39
2.625	3.25 to 3.75	4.00	6.19	0.625	4.94	6.00	2.72	2.34	1.84	2.53	0.39
2.750	3.38 to 3.88	4.12	6.75	0.625	5.06	6.17	2.72	2.34	1.84	2.53	0.39
2.875	3.50 to 4.00	4.25	6.44	0.625	5.19	5.94	2.72	2.34	1.84	2.53	0.39
3.000	3.62 to 4.12	4.38	7.62	0.750	5.56	6.63	2.72	2.34	1.84	2.53	0.39
3.125	3.75 to 4.25	4.50	7.06	0.750	5.56	6.44	2.72	2.34	1.84	2.53	0.39
3.250	3.88 to 4.38	4.62	7.19	0.750	5.69	6.63	2.72	2.34	1.84	2.53	0.39
3.375	4.00 to 4.50	4.75	7.31	0.750	5.81	6.69	2.72	2.34	1.84	2.53	0.39
3.500	4.25 to 5.00	5.25	8.50	0.750	6.38	7.45	3.06	2.69	2.19	2.88	0.51
3.625	4.38 to 5.13	5.38	8.00	0.750	6.50	7.37	3.06	2.69	2.19	2.88	0.51
3.750	4.50 to 5.25	5.50	8.75	0.750	6.63	7.83	3.06	2.69	2.19	2.88	0.51
3.875	4.63 to 5.38	5.63	8.25	0.750	6.75	7.63	3.06	2.69	2.19	2.88	0.51
4.000	4.75 to 5.50	5.75	9.00	0.875	7.00	7.92	3.06	2.69	2.19	2.88	0.51
4.125	4.88 to 5.63	5.88	8.88	0.875	7.13	8.13	3.06	2.69	2.19	2.88	0.53
4.250	5.00 to 5.75	6.00	9.00	0.875	7.25	8.25	3.06	2.69	2.19	2.88	0.57
4.375	5.13 to 5.88	6.13	9.13	0.875	7.38	8.38	3.06	2.69	2.19	2.88	0.60
4.500	5.25 to 6.00	6.25	9.25	0.875	7.50	8.50	3.06	2.69	2.19	2.88	0.64
4.625	5.38 to 6.13	6.38	9.38	0.875	7.63	8.63	3.06	2.69	2.19	2.88	0.68
4.750	5.50 to 6.25	6.50	9.26	0.875	7.75	8.51	3.06	2.69	2.19	2.88	0.72
4.875	5.63 to 6.38	6.63	9.63	0.875	7.88	8.88	3.06	2.69	2.19	2.88	0.75
5.000	5.75 to 7.00	7.25	10.65	0.875	8.50	10.00	3.06	2.69	2.19	2.88	0.79
5.125	5.88 to 7.13	7.38	10.38	0.875	8.63	9.63	3.06	2.69	2.19	2.88	0.83
5.250	6.00 to 7.25	7.50	10.50	0.875	8.75	9.75	3.06	2.69	2.19	2.88	0.87
5.375	6.13 to 7.38	7.63	10.63	0.875	8.88	9.88	3.06	2.69	2.19	2.88	0.90
5.500	6.25 to 7.50	7.75	11.50	0.875	9.00	10.75	3.06	2.69	2.19	2.88	0.94
5.625	6.38 to 7.63	7.88	10.88	0.875	9.13	10.13	3.06	2.69	2.19	2.88	0.98
5.750	6.50 to 7.75	8.00	11.00	0.875	9.25	10.25	3.06	2.69	2.19	2.88	1.02
5.875	6.63 to 7.88	8.13	11.13	0.875	9.38	10.38	3.06	2.69	2.19	2.88	1.05
6.000	6.75 to 8.00	8.25	11.25	0.875	9.50	11.25	3.06	2.69	2.19	2.88	1.09

Other sizes available on request. Contact Flowserve Engineering.



4x ØD Hex Head Bolts  
equally spaced on OE



**The Split Flow Reducer is the perfect accessory for the PSS II**

The Split Flow Reducer is an engineered, close clearance device which lowers seal water flush (API Plan 32) requirements when used with the PSS II. Split axially for easy installation, the Split Flow Reducer is constructed of glass filled PTFE for corrosion and abrasion resistance.



FSD125eng REV 03-07 Printed in USA

**To find your local Flowserve representative**  
and find out more about Flowserve Corporation  
visit [www.flowserve.com](http://www.flowserve.com)

Flowserve Corporation has established industry leadership in the design and manufacture of its products. When properly selected, this Flowserve product is designed to perform its intended function safely during its useful life. However, the purchaser or user of Flowserve products should be aware that Flowserve products might be used in numerous applications under a wide variety of industrial service conditions. Although Flowserve can provide general guidelines, it cannot provide specific data and warnings for all possible applications. The purchaser/user must therefore assume the ultimate responsibility for the proper sizing and selection, installation, operation, and maintenance of Flowserve products. The purchaser/user should read and understand the Installation Instructions included with the product, and train its employees and contractors in the safe use of Flowserve products in connection with the specific application.

While the information and specifications contained in this literature are believed to be accurate, they are supplied for informative purposes only and should not be considered certified or as a guarantee of satisfactory results by reliance thereon. Nothing contained herein is to be construed as a warranty or guarantee, express or implied, regarding any matter with respect to this product. Because Flowserve is continually improving and upgrading its product design, the specifications, dimensions and information contained herein are subject to change without notice. Should any question arise concerning these provisions, the purchaser/user should contact Flowserve Corporation at any one of its worldwide operations or offices.

**USA and Canada**  
Kalamazoo, Michigan USA  
Telephone: 1 269 381 2650  
Telefax: 1 269 382 8726

**Europe, Middle East, Africa**  
Roosendaal, The Netherlands  
Telephone: 31 165 581400  
Telefax: 31 165 552622

**Asia Pacific**  
Singapore  
Telephone: 65 6544 6800  
Telefax: 65 6214 0541

**Latin America**  
Mexico City  
Telephone: 52 55 5567 7170  
Telefax: 52 55 5567 4224