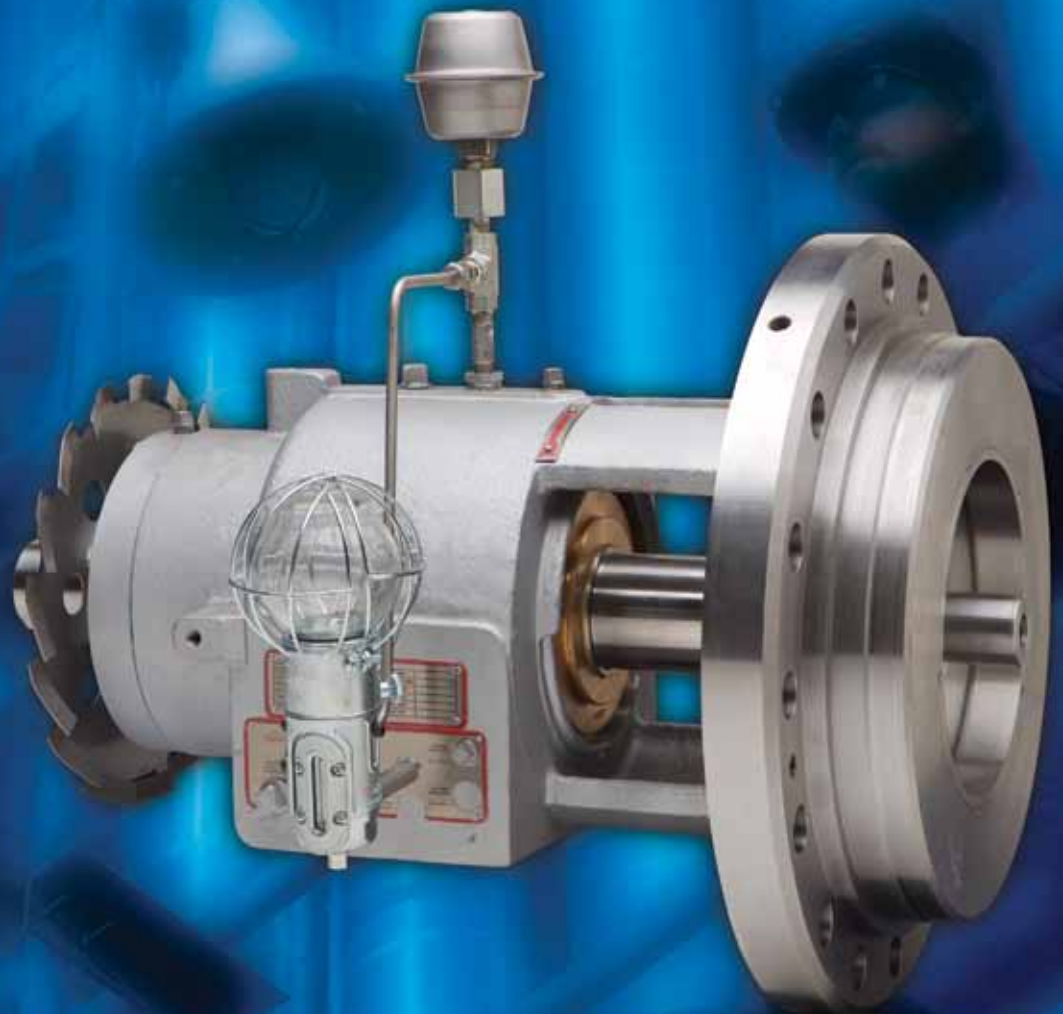
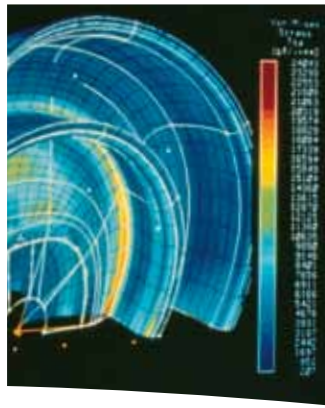




***RVX Upgrade
ISO 13709/API 610 Back Pull-out Retrofit***



Experience In Motion



Pump Supplier to the World

Flowserve is the driving force in the global industrial pump marketplace. No other pump company in the world has the depth or breadth of expertise in the successful application of pre-engineered, engineered, and special purpose pumps and systems.

Life Cycle Cost Solutions

Flowserve provides pumping solutions that permit customers to reduce total life cycle costs and improve productivity, profitability and pumping system reliability.

Market-Focused Customer Support

Product and industry specialists develop effective proposals and solutions directed toward market and customer preferences. They offer technical advice and assistance throughout each stage of the product life cycle, beginning with the initial inquiry.

Broad Product Lines

Flowserve offers a wide range of complementary pump types, from pre-engineered process pumps to highly engineered and special purpose pumps and systems. Pumps are built to recognized global standards and customer specifications.

Pump designs include:

- Single-stage process
- Between bearings single-stage
- Between bearings multistage
- Vertical
- Submersible motor
- Positive displacement
- Nuclear
- Specialty

Product Brands of Distinction

ACEC™ Centrifugal Pumps

Aldrich™ Pumps

Byron Jackson® Pumps

Calder™ Energy Recovery Devices

Cameron™ Pumps

Durco® Process Pumps

Flowserve® Pumps

IDP® Pumps

Lawrence Pumps®

Niigata Worthington™ Pumps

Pacific® Pumps

Pleuger® Pumps

Scienco™ Pumps

Sier-Bath® Rotary Pumps

TKL™ Pumps

United Centrifugal® Pumps

Western Land Roller™ Irrigation Pumps

Wilson-Snyder® Pumps

Worthington® Pumps

Worthington Simpson™ Pumps

**RVX Upgrade
ISO 13709/API 610
Back Pull-out Retrofit**

Before

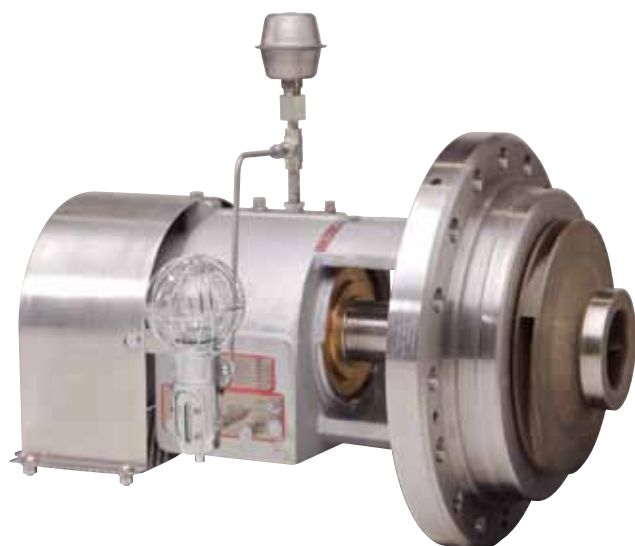


After



The Upgrade Specialists

Flowserve developed the RVX back pull-out assembly upgrade program to address users' needs for improved pump reliability with reduced maintenance costs. The RVX program assists users in reducing fugitive volatile organic compound (VOC) emissions while gaining the advantages of a bearing frame in full compliance with ISO 13709/API 610, latest edition. It also addresses users' needs for improving pump hydraulic efficiency or operating stability by replacing existing impellers with ones specifically selected for current operating modes. This dedicated aftermarket support program makes Flowserve unbeatable as a problem solver for improving field equipment reliability and reducing total life cycle costs.

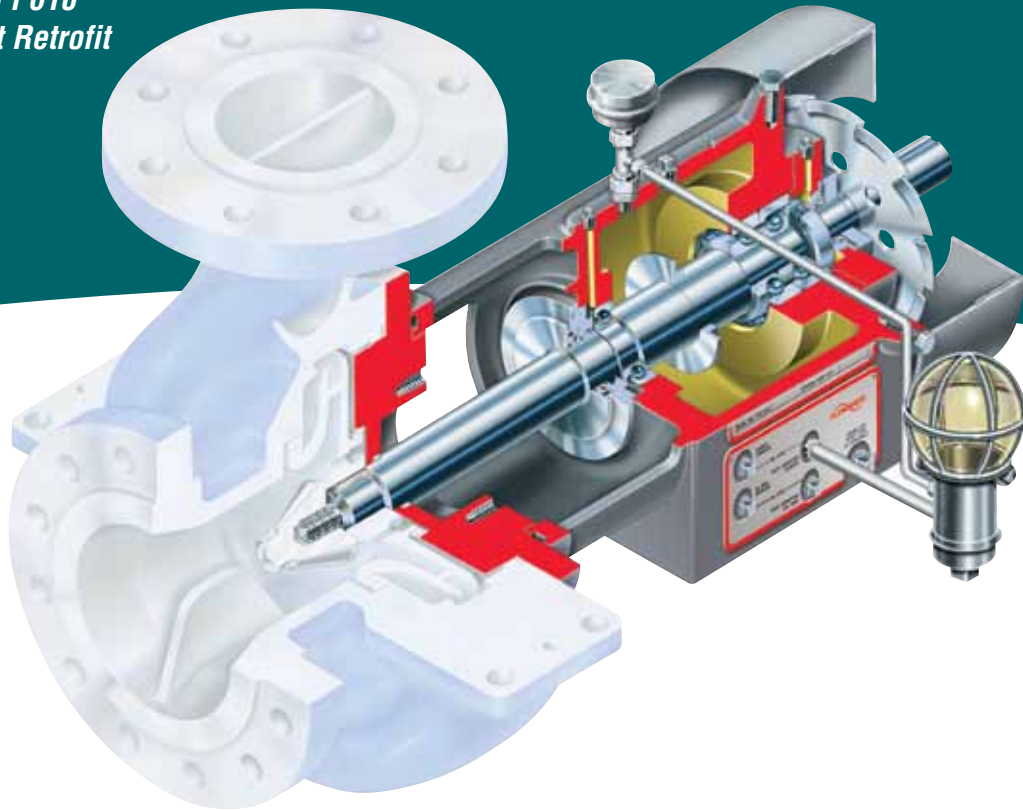


RVX Upgrade Benefits

The RVX program applies to any existing ISO/API OH1 and OH2 pump installation, regardless of OEM.

- Increased reliability based upon a robust design with larger radial and thrust bearings and low L^3/D^4 ratio
- Full compliance with API 610 L_{10h} bearing life requirements
- Increased seal life attributed to large diameter shaft with low L^3/D^4 ratio for reduced shaft deflection with increased mean time between repair (MTBR) and reliability
- Elimination of cooling water by an outboard fan for heat convection
- No disturbance to existing suction and discharge piping
- High parts interchangeability based upon same parts used from new Flowserve HPX pump product
 - Three standard frame sizes accommodate impeller diameters from 215 mm (8.5 in) to 525 mm (21 in)
 - Utilizes standard OEM cartridge seals
- Pristine, closed lubrication system with bearing isolators for increased mean time between repair (MTBR)
- Oil slinger design to mitigate "dirty oil" appearance
- Quick Ship Program for significantly reduced turnaround time to upgrade existing pumps versus replacing with new equipment. Upgrade in two to five weeks versus new pumps in 38 weeks

RVX Upgrade
ISO 13709/API 610
Back Pull-out Retrofit



The RVX assembly enables users to extend the useful life of process pumps while simultaneously reducing the total cost of ownership. It accomplishes this by upgrading low technology or obsolete bearing assemblies and seal chambers to ISO 13709/API 610, latest edition compliant components. Standard RVX assemblies include the following new components:

- *Bearing housing and shaft assembly*
- *Head, fixed throat bushing and integral seal chamber*
- *Head wear ring*
- *Cooling fan*
- *Guard for fan*
- *Keys for impeller and coupling*

The application of current technology combined with dedicated support by aftermarket specialists ensures improved MTBR of any ISO/API OH2 single-stage, two-stage or double-suction overhung pump.

Features and Benefits

Heavy-duty Construction to ISO 13709/API 610, latest edition, including carbon steel bearing housing assures maximum reliability and safety.

Metal-to-Metal Casing/Cover fit with fully confined, controlled compression gasket ensures proper sealing and alignment.

Outboard Cooling Fan reduces shaft temperature migration on high-temperature services.

Large Radial and Thrust Bearings, combined with very low shaft stiffness ratios (L^3/D^4) and low shaft deflection, promote long life for bearings and mechanical seals.

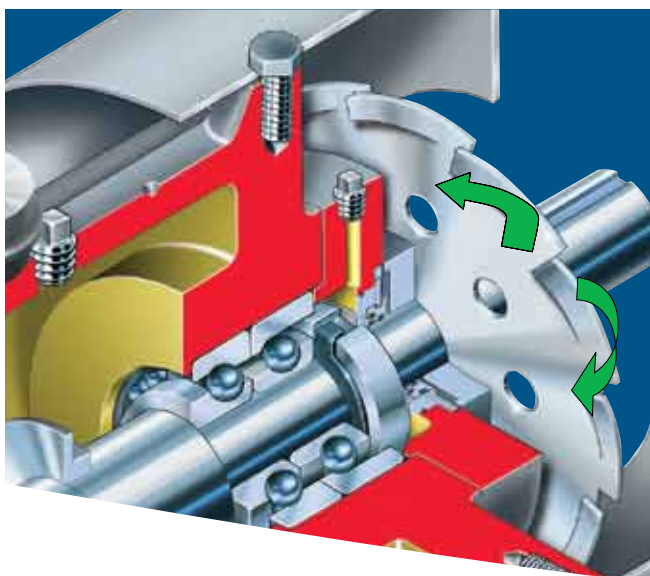
Pristine Closed Lubrication System with expansion chamber, oiler and Inpro® bearing isolators ensures optimal bearing lubrication and prevents ingress of contaminants and moisture for increased MTBR. Oil slinger design mitigates "dirty oil" appearance. Oil mist optional.

Fixed Throat Bushing Design accommodates metallic and non-metallic bushings, permitting greater control of seal chamber pressure to suit application needs.

ISO 21049/API 682 Seal Chamber accommodates all popular dual seal arrangements without special engineering.

Air Gap between drip pocket and cover helps insulate the bearing housing in high-temperature applications.

© Inpro is a trademark of Inpro/Seal Company.



RVX assembly with expansion chamber, standard oiler, fan guard and optional coupling guard

Standard Outboard Fan

Standard outboard fan eliminates the need for bearing cooling water and extends the operating temperature of the pump to 450°C (840°F) with no auxiliary support required.

Maximized Parts Interchangeability

The RVX enables users to maximize parts interchangeability. All ISO/API OH1 and OH2 single-stage, two-stage and double-suction overhung pump wet ends, regardless of OEM, may be retrofitted with the RVX. Bearing housing parts are interchangeable with HPX and HPXM components.

Dimensional Consistency

With very few exceptions, the pump's discharge centerline to driver coupling face dimension remains unchanged on pumps retrofitted with the RVX. This is accomplished by selecting a longer coupling spacer, if necessary, to permit a drop-in-place assembly. Additionally, shafts are machined to fit the original pump dimensions.

Significantly Reduced Lead Time

The RVX retrofit improves pump performance and reliability significantly faster than purchasing a new pump. Typical lead time for a new pump is 38 weeks; the typical lead time for an RVX is just five weeks — a savings of 33 weeks.

Quick Payback and Reduced Life Cycle Costs

Reliability Payback

The reliability payback of the RVX in a recent 50-pump program was 1.84 years as calculated by the user. This was based on the significant reduction in cost and time to upgrade the pull-out assemblies versus completely replacing pumps. Improved reliability to ISO 13709/API 610, latest edition, is also assured.

Energy Payback

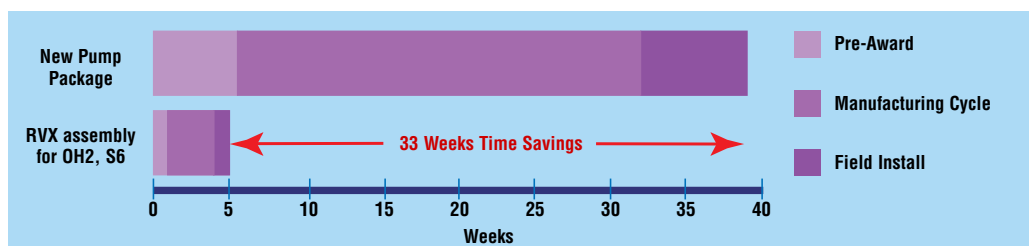
Energy payback on the RVX can be realized by application of an optimized impeller. Consider the following facts from an actual case history:

- Reduction of 100 kW/h (135 hp/h)
- Power cost reduction of US\$35 415 annually using US\$0.04 per kW/h and around-the-clock operation
- 0.62 years payback on energy savings

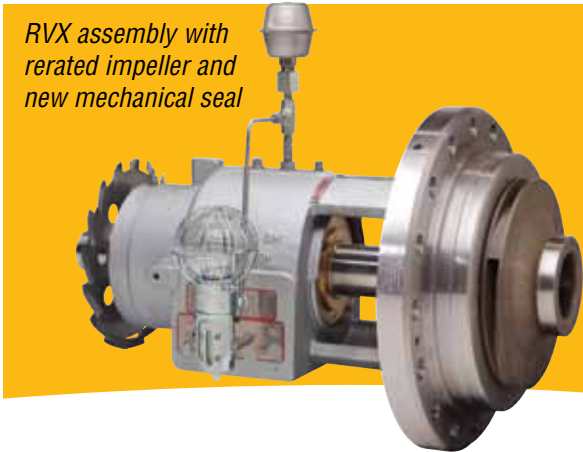
New Product Warranty

Flowserve offers a new product warranty on all RVX assemblies.

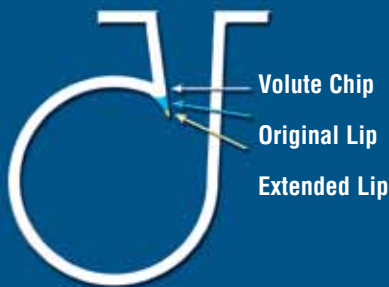
Lead Time Comparison



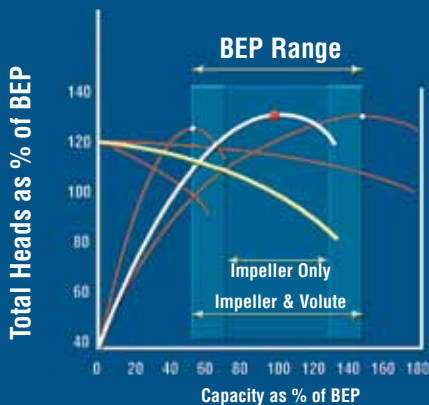
Hydraulic Rerates, Options and Technical Data



Hydraulic Rerates for Optimal Performance



Customized Volute to Impeller Relationship
The relationship between the casing volute and the impeller can be customized to improve hydraulic stability over the entire pump operating range.



New or Rerated Impeller
A new or rerated impeller can be provided as an option to meet changing operating conditions.

Electronic Documentation

- The RVX upgrades include the following electronic documentation:
- Cross sectional drawing
 - Outline drawing of pump
 - Seal chamber drawing
 - IOM manual addendum
 - Parts list

- The following electronic documents are provided when applicable:
- Coupling drawing
 - Seal assembly drawing
 - Seal flush schematic
 - Required baseplate modification instructions

Optional Hardware Package

- Impeller
- Mechanical seal
- Seal flush piping
- Coupling and coupling guard

Material Upgrades

- Material upgrades can be incorporated into upgrade kits for improved operating life of these parts:
- Cover
 - Shaft
 - Gaskets
 - Wearing rings (metallic or non-metallic)
 - Throat bushing (metallic or non-metallic)

Service and Repair Options

- Casing repair
- Pump assembly
- Field inspection
- Field engineering
- Field machining

**Global Service
and Technical
Support**



Life Cycle Cost Solutions

Typically, 90% of the total life cycle cost (LCC) of a pumping system is accumulated after the equipment is purchased and installed. Flowserve has developed a comprehensive suite of solutions aimed at providing customers with unprecedented value and cost savings throughout the life span of the pumping system. These solutions account for every facet of life cycle cost, including:

Capital Expenses

- Initial purchase
- Installation

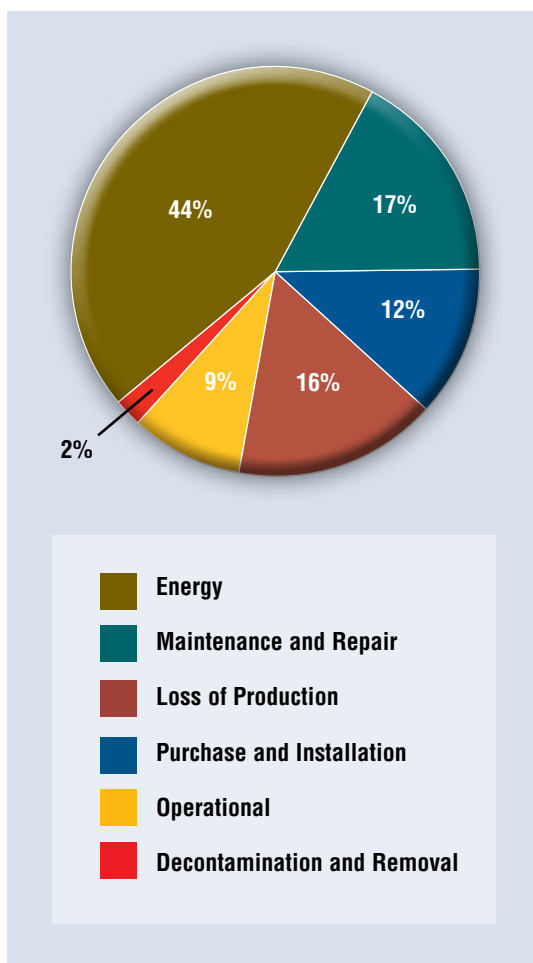
Operating Expenses

- Energy consumption
- Maintenance
- Production losses
- Environmental
- Inventory
- Operating
- Removal

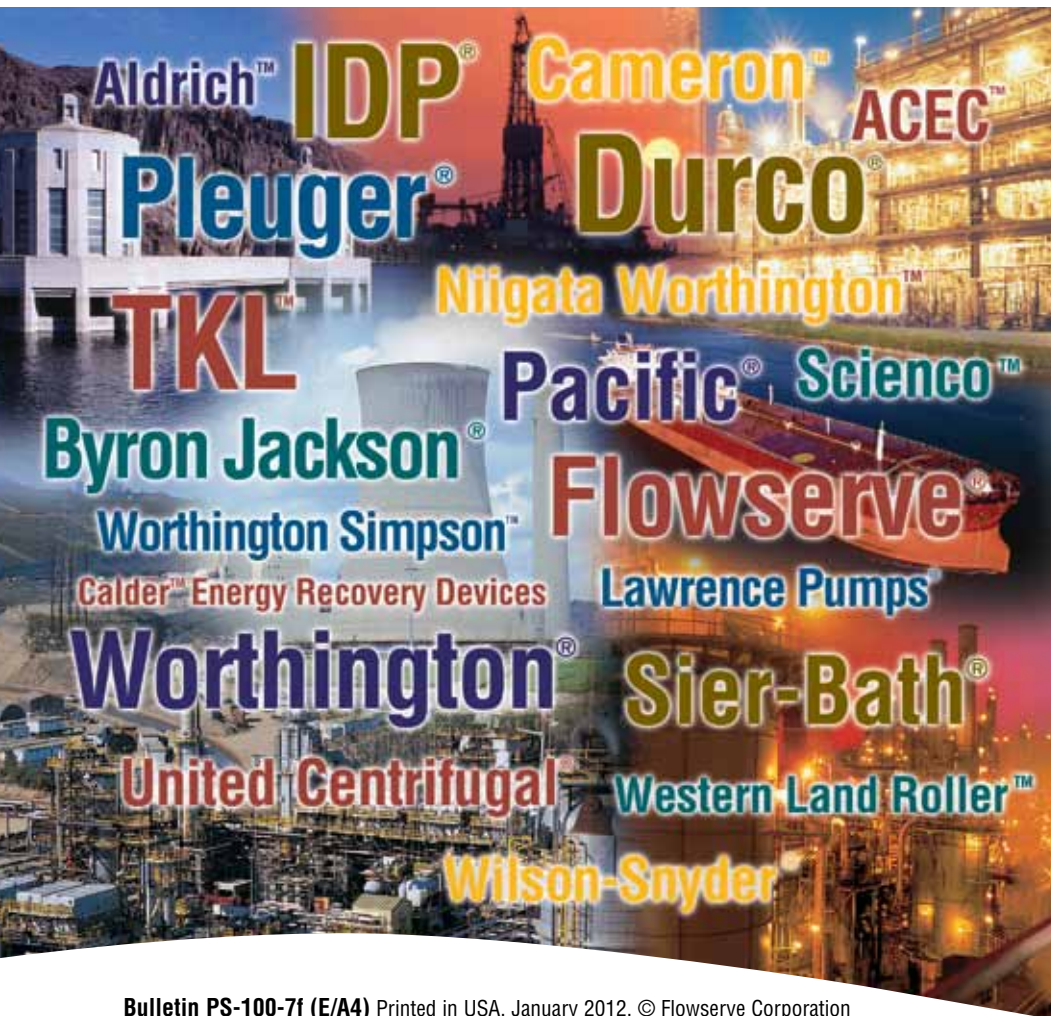
Innovative Life Cycle Cost Solutions

- New Pump Selection
- Turnkey Engineering and Field Service
- Energy Management
- Pump Availability
- Proactive Maintenance
- Inventory Management

Typical Pump Life Cycle Costs¹



¹ While exact values may differ, these percentages are consistent with those published by leading pump manufacturers and end users, as well as industry associations and government agencies worldwide.



Bulletin PS-100-7f (E/A4) Printed in USA. January 2012. © Flowserve Corporation

To find your local Flowserve representative:

For more information about Flowserve Corporation,
visit www.flowserve.com or call +1 937 890 5839.

USA and Canada

Flowserve Corporation
5215 North O'Connor Blvd.
Suite 2300
Irving, Texas 75039-5421 USA
Telephone: +1 937 890 5839

Europe, Middle East, Africa

Flowserve Corporation
Parallelweg 13
4878 AH Etten-Leur
The Netherlands
Telephone: +31 76 502 8100

Latin America

Flowserve Corporation
Martín Rodríguez 4460
B1644CGN-Victoria-San Fernando
Buenos Aires, Argentina
Telephone: +54 11 4006 8700
Telefax: +54 11 4714 1610

Asia Pacific

Flowserve Pte. Ltd.
10 Tuas Loop
Singapore 637345
Telephone: +65 6771 0600
Telefax: +65 6862 2329