

CS/CSE/CSL

Control Station/Control Station–Electronic/Control Station–Local

Limatorque announces a unique concept in remote control stations.

The CS/CSE/CSL device replaces all previously supplied Limatorque SW stations. The CS is available in three versions: a hardwired version designated the CS (Control Station), an electronic version designated the CSE (Control Station – Electronic), and a local control only version designated the CSL (Control Station – Local). All devices are contained in one platform and operation is via two selector switches, making valve control easier.



CS (Control Station)

The basic CS can be used for virtually all of Limatorque's hardwired controls. It is compatible with 120 or 220 VAC control schemes. (Switch rating = 6A resistive.)

CSE (Control Station-Electronic)

The electronic CSE can be used with previously supplied UEC controls and the MX series of non-intrusive actuators. It is compatible with 24 VDC control schemes.

CSL (Control Station-Local)

The CSL is similar to the CS, except it is used for local control only. It is compatible with 120 or 220 VAC control schemes. (Switch rating = 6A resistive.)

Standard features include:

- Two easy-to-use selector switches:
 - CS/CSE:**
 - One selector switch that functions as a REMOTE/STOP/LOCAL positioner. The switch can be cycled as "REMOTE-STOP", "STOP", or "LOCAL-STOP". This switch can be padlocked into position using up to a 1/4" hasp.
 - CSL:**
 - One spring return-to-center (run position) selector switch that functions as a local STOP/RUN/STOP positioner. The switch can be padlocked into position using up to a 1/4" hasp.
 - CS/CSE/CSL:**
 - A second selector switch allows OPEN/CLOSE operation of the unit in either inching mode (momentary contact) or maintained mode (latched contact).
- REMOTE/STOP/LOCAL (CS/CSE), STOP/RUN/STOP (CSL only), and OPEN/CLOSE text plate. Decals can be applied by the end user and are supplied in five different languages: French, Spanish, German, Italian, Portuguese.
- Solid-state LEDs are featured for long life and ease of replacement. The standard RED for Open and GREEN for Closed can be reversed.
- All devices can be mounted remotely for easier cycling of actuators that are installed in hard-to-reach locations.

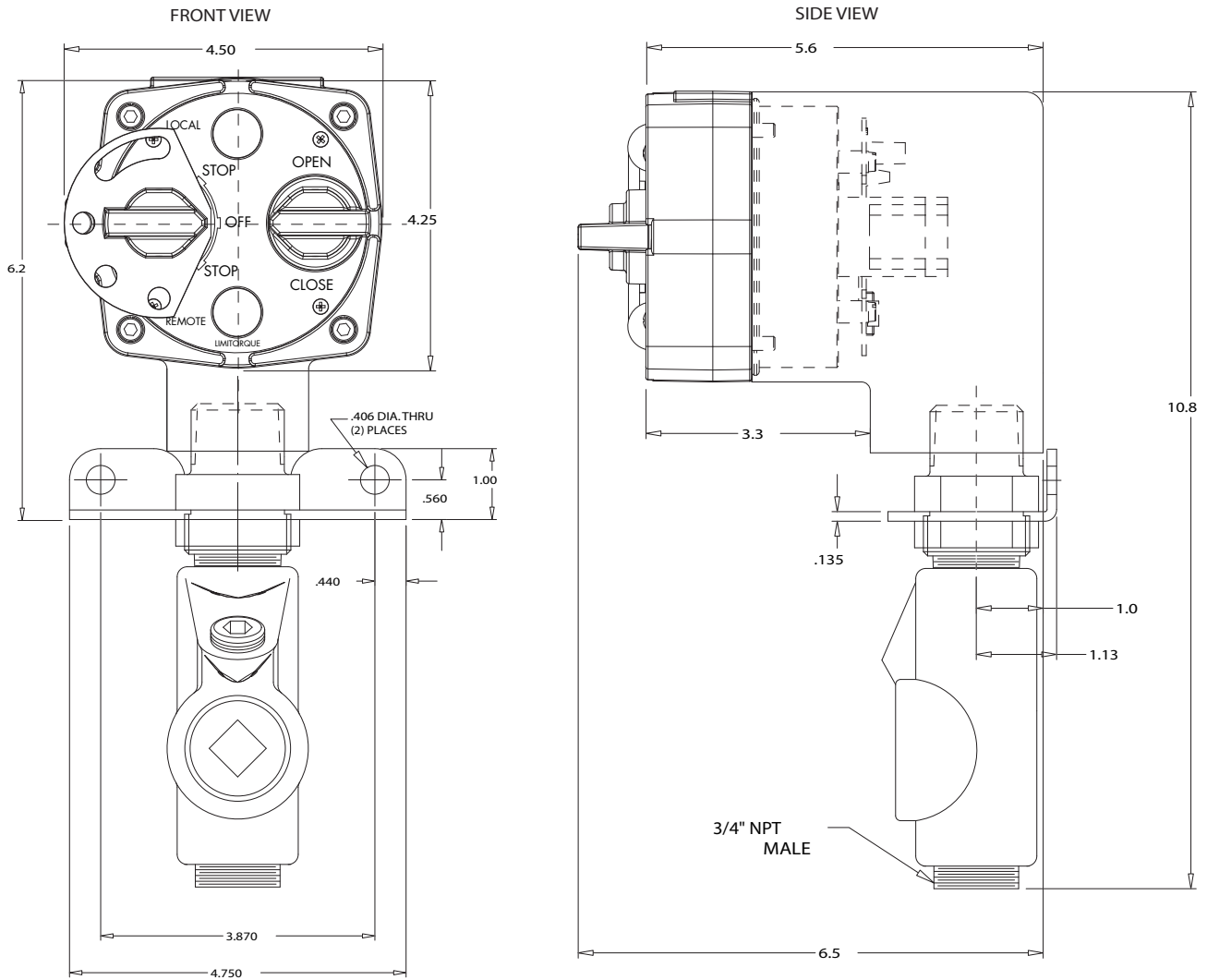
FLOWSERVE

Limatorque Actuation Systems

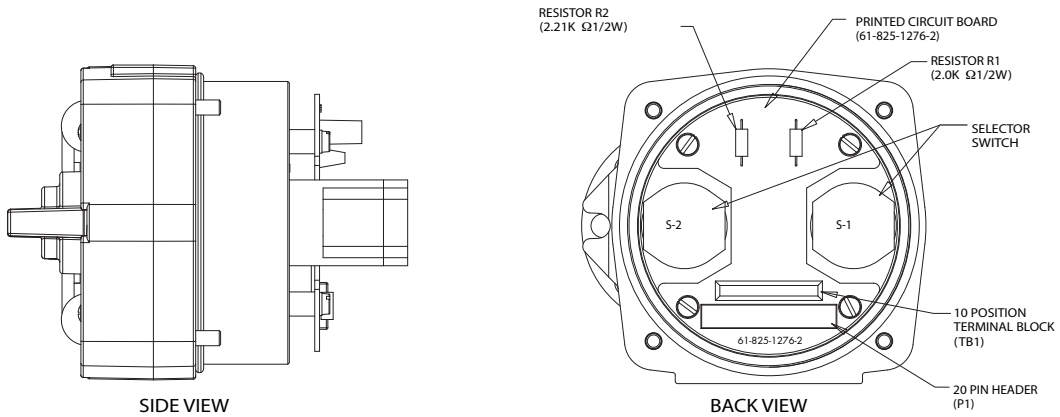
Remote CSE mounting distance to MX

Internal 24VDC power supplied: Max mounting distance allowed (w/18AWG) = 1200 ft.

External 24VDC (+/- 10%) power supplied: Max mounting distance allowed (w/18AWG) = 500 ft.



CSE WITH REMOTE SURFACE MOUNTING KIT



CSE

- Global certifications available, XP and WP:
 - Non-hazardous (Weatherproof/Submersion) Certification Options:
 - NEMA 6; 6 feet head for 30 minutes
 - CSA – NEMA 3, 4, 4X, & 6
 - IEC 529 protection code IP68; 3 meters for 48 hours continuous
 - Limitorque specification; 20 feet head for 24 hours
 - NEMA 4X – to ASTM B117
- Hazardous Environments (Explosion proof) Certification Options:
 - FM – Class I, Groups C & D, DIV.1 and Class II, Groups E, F, & G
 - FM – Class I, Groups B, C & D, DIV.1 and Class II, Groups E, F, & G
 - CSA – Class I, Groups C & D, DIV.1 and Class II, Groups E, F, & G
- ATEX EEx d IIC, SIRA certified for EEx d IICT4, per EN 50018
- ATEX EEx d IIB, SIRA certified for EEx d IIBT4, per EN 50018
- SAA EEx d IIB T4
- SAA EEx d IIC T4
- CE Declarations:
 - The CS/CSE/CSL complies with European Directive 89/336/EEC, Electromagnetic Compatibility.
 - The CS/CSE/CSL complies with European Directive 89/392/EEC, Machinery Directive.
- The CS/CSE/CSL is completely retro-fittable with existing Limitorque field installations.

The CS/CSE/CSL is the latest product that continues Limitorque's commitment to making valve control easier.

Flowserve Corporation has established industry leadership in the design and manufacture of its products. When properly selected, this Flowserve product is designed to perform its intended function safely during its useful life. However, the purchaser or user of Flowserve products should be aware that Flowserve products might be used in numerous applications under a wide variety of industrial service conditions. Although Flowserve can (and often does) provide general guidelines, it cannot provide specific data and warnings for all possible applications. The purchaser/user must therefore assume the ultimate responsibility for the proper sizing and selection, installation, operation, and maintenance of Flowserve products. The purchaser/user should read and understand the Installation and Maintenance (I & M) instructions included with the product, and train its employees and contractors in the safe use of Flowserve products in connection with the specific application.

While the information and specifications contained in this literature are believed to be accurate, they are supplied for informative purposes only and should not be considered certified or as a guarantee of satisfactory results by reliance thereon. Nothing contained herein is to be construed as a warranty or guarantee, express or implied, regarding any matter with respect to this product. Because Flowserve is continually improving and upgrading its product design, the specifications, dimensions and information contained herein are subject to change without notice. Should any question arise concerning these provisions, the purchaser/user should contact Flowserve Corporation at any one of its worldwide operations or offices.

For more information about Flowserve Corporation, contact www.flowserve.com or call USA 1-800-225-6989.

FLOWSERVE CORPORATION
FLOW CONTROL DIVISION
Limitorque Actuation Systems
 5114 Woodall Road
 P.O. Box 11318
 Lynchburg, VA 24506-1318
 Phone: 434 528 4400
 Facsimile: 434 845 9736
www.limitorque.com

